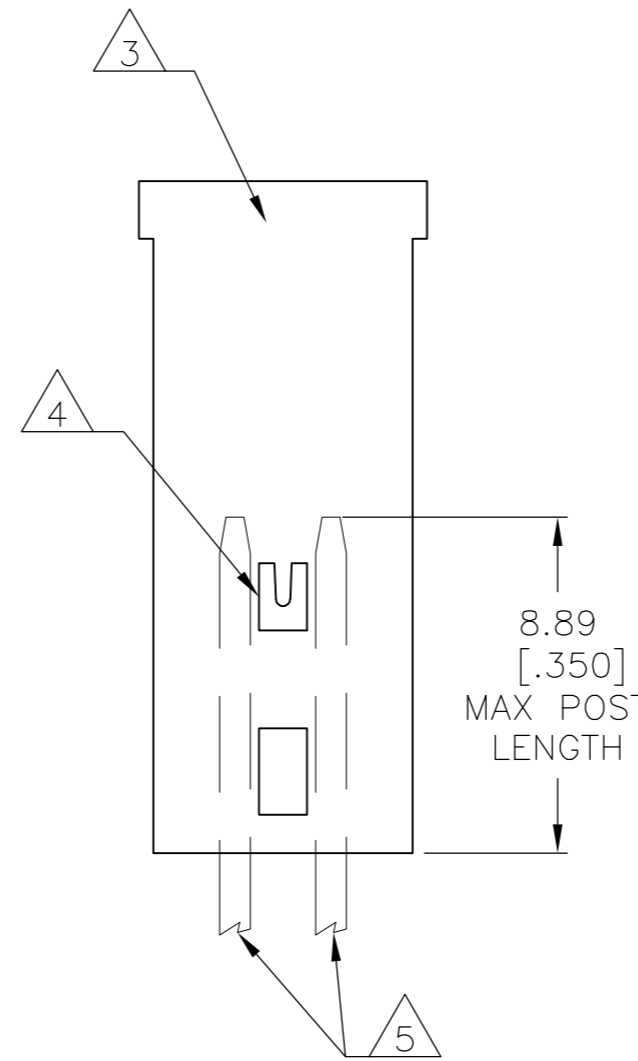
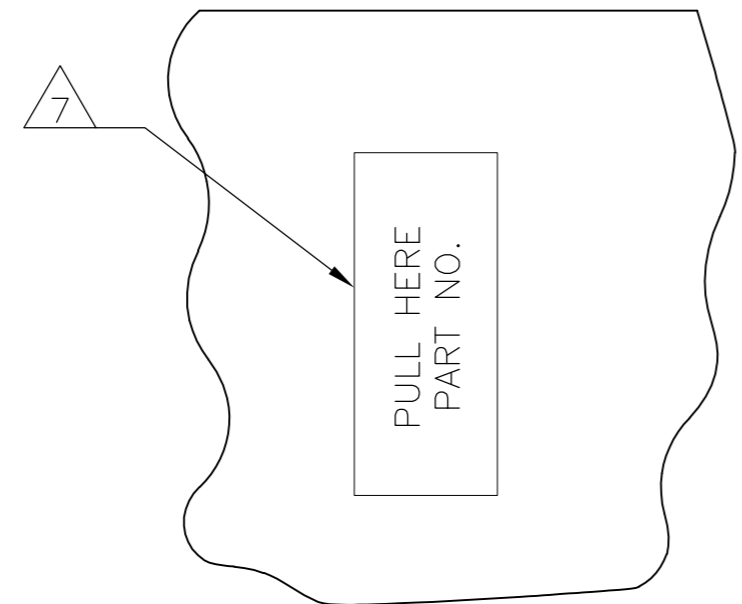
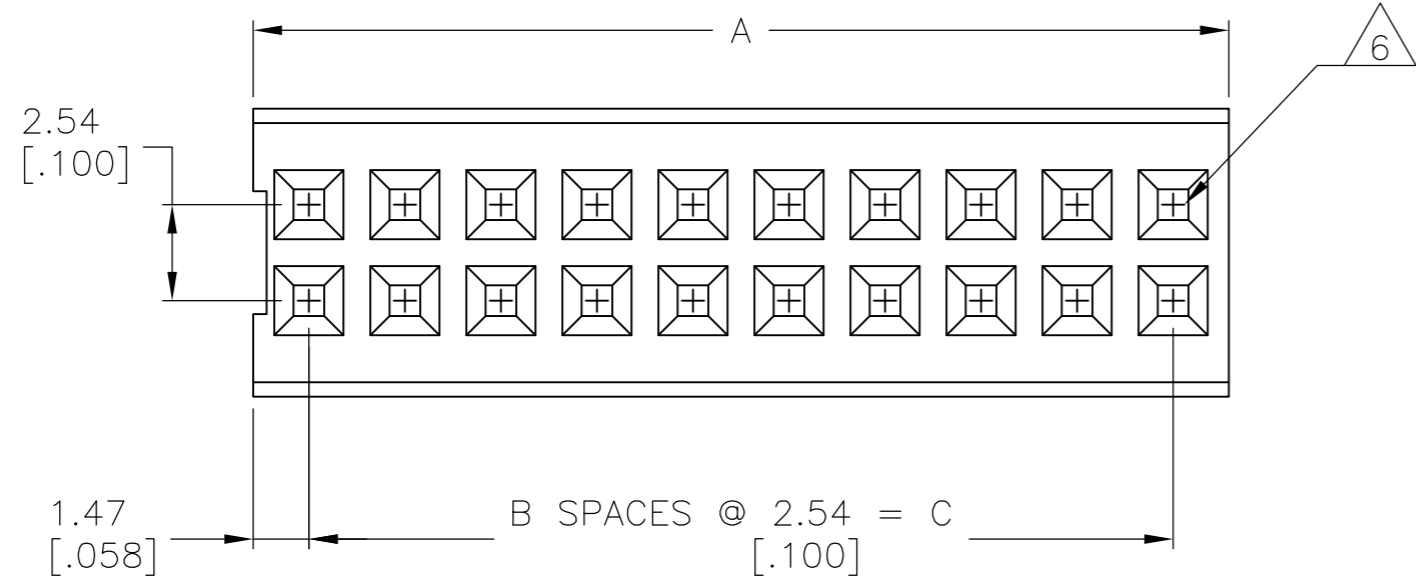
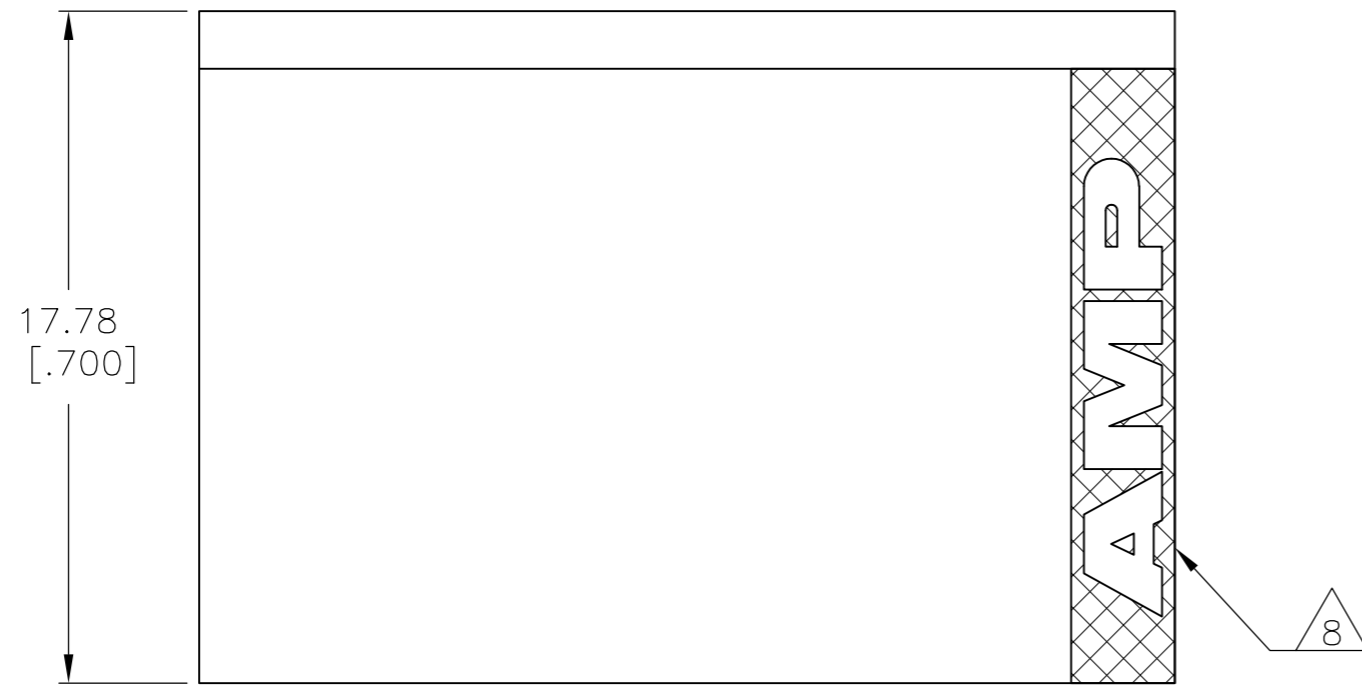
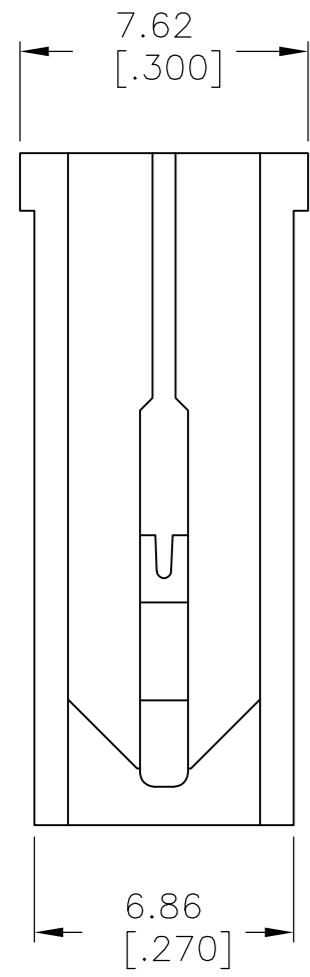
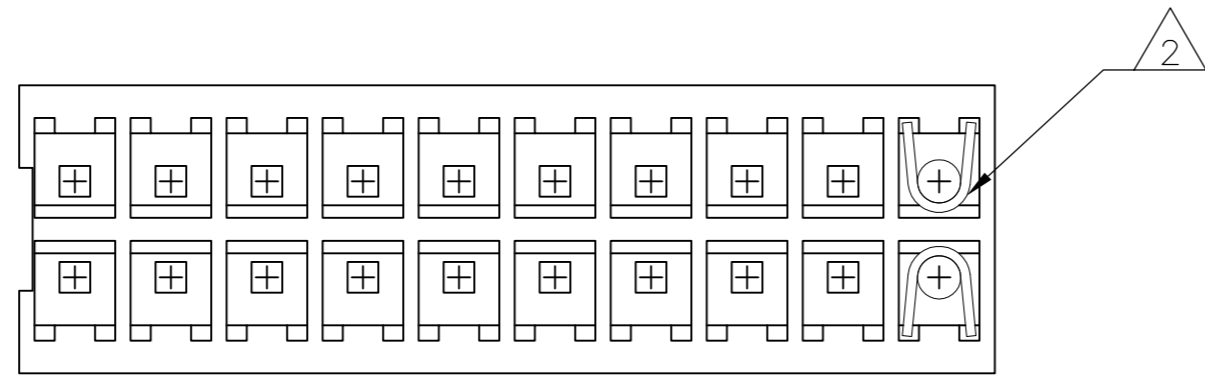


THIS DRAWING IS UNPUBLISHED. RELEASED FOR PUBLICATION  
 © COPYRIGHT BY TYCO ELECTRONICS CORPORATION. ALL RIGHTS RESERVED.

LOC		DIST		REVISIONS			
P	LTR	DESCRIPTION		DATE	DWN	APVD	
		K1		REVISED PER ECO-09-020932	08SEP09	KK	AEG



- 1 PULL ON HOUSING TO REMOVE FROM POSTS. DO NOT CONFINE THE CONDUCTORS OR PULL ON THE CONDUCTORS DURING REMOVAL ACTION.
- 2 ACCEPTS CONTACT P/N 87124.
- 3 MOLDED CHARACTERS THIS END.
- 4 EXTRACTION SLOT MAY BE PARTIALLY FLASHED OVER ONE END ONLY.
- 5 0.62 [.025] SQUARE POST SHOWN FOR REFERENCE ONLY.
- 6 CAVITY ACCEPTS 0.62 [.025] SQUARE POST (TYPICAL).
- 7 MARKED (WHITE) 1.5 [.06] CHARACTERS AS SHOWN IN APPROXIMATE CENTER OF HOUSING. "PULL HERE" AND "PART NO." WILL APPEAR ON HOUSINGS 6 POSITIONS AND LARGER.
- 8 AMP LOGO MOLDED IN TEXTURED AREA, AREA REISED .0003 - .0007 HIGH AND MAY BE ON EITHER SIDE OF THE PART.
- 9 OBSOLETE PARTS: OBSOLETE CIS STREAMLINING PER D.RENAUD/D.SINISI

REMARKS	C	B	A	NO. OF POSN	PART NUMBER	
STAMPED	22.86 [.900]	9	25.81 [1.016]	20	87131-6	
OBSOLETE	STAMPED	10.16 [.400]	4	13.11 [.516]	10	87131-5
	UNSTAMPED	22.86 [.900]	9	25.81 [1.016]	20	87131-3
	UNSTAMPED	10.16 [.400]	4	13.11 [.516]	10	87131-2
OBSOLETE	UNSTAMPED	2.54 [.100]	1	5.49 [.216]	4	87131-1

THIS DRAWING IS A CONTROLLED DOCUMENT.

DIMENSIONS: mm [INCHES]	TOLERANCES UNLESS OTHERWISE SPECIFIED:	DWN E BRANDBERG 2-25-93	Tyco Electronics Corporation Harrisburg, PA 17105-3608
0 PLC ± -	1 PLC ± -	CHK S SHUEY 2-25-93	
2 PLC ± -	3 PLC ± 0.12 [.005]	APVD S SHUEY 2-25-93	Tyco Electronics Corporation Harrisburg, PA 17105-3608
4 PLC ± -	ANGLES ± -	PRODUCT SPEC	
MATERIAL: GLASS FILLED POLYESTER COLOR: DARK BROWN OR BLACK	FINISH: -	APPLICATION SPEC	NAME: HOUSING, LOCKING CLIP, .025 SQUARE POST, .100 C/L LEFT END OPEN
		WEIGHT: -	SIZE: A2 CAGE CODE: 00779 DRAWING NO: C=87131 RESTRICTED TO: -
		CUSTOMER DRAWING	SCALE: 5:1 SHEET: 1 OF 1 REV: K1